

3000 AMP BREAKER DISCONNECT



FEATURES & ACCESSORIES

- NEMA 3R, UL 50 Listed
- Access Door with Breaker Viewing Window
- Removable Gland Plate with Panel Mounts on Back of Panel
- Clear Flip Covers on All Panel Mounts to Prevent Accidental Contact
- Mounted in Cage
- Fork Pockets & Lifting Eyes

INPUT

- 10 Sets of Male 16 Series Panel Mounts

OUTPUT

- 1 X 3000A 600V Circuit Breaker Wired to 10 x Sets of 16 Series Female Panel Mounts
- 10 x Sets of Lugs for Hardwire Access

PACKAGE DIMENSIONS

Width	90 inches
Height	69.375 inches
Depth	48.875 inches
Unit Weight	2,475 pounds

ELECTRICAL

Rated 3000AMPS	600V

24-HOUR SERVICE

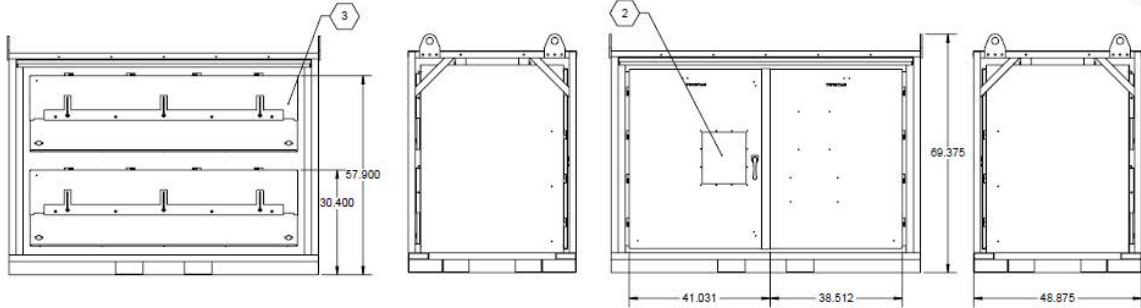
877-291-3354

www.ers-cat.com

**Energy Rental
Solutions**

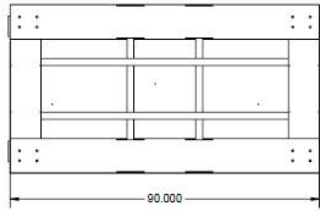
CAT

TRYPSTAR BREAKER DISCONNECT
3000A 600V



NOTES:

1. UL 50 Listed, NEMA 3R
 2. Access Door with Breaker Viewing Window
 3. Removeable Gland Plate with Panel Mounts on Back of Panel
 4. Clear Flip Covers on All Panel Mounts to Prevent Accidental Contact
 5. Mounted in Cage
 6. Fork Pockets & Lifting Eyes
- Input**
7. 10 Sets of Male 16 Series Panel Mounts
- Output**
8. 1 x 3000A 600V Circuit Breaker Wired to 10 x Sets of 16 Series Female Panel Mounts 10 x Sets of Lugs for Hardwire Access



<p>PROPRIETARY AND CONFIDENTIAL THE INFORMATION CONTAINED IN THIS DRAWING IS THE SOLE PROPERTY OF TRYPSTAR, LLC. ANY REPRODUCTION IN PART OR AS A WHOLE WITHOUT THE WRITTEN PERMISSION OF TRYPSTAR, LLC IS PROHIBITED.</p>	<p>UNLESS OTHERWISE SPECIFIED DIM ARE IN INCHES TOL ON ANGLE ± 1° FRACTION ± 1/16 1 PL ± 1/32 2 PL ± 015 3 PL ± .010 INTERPRET DIM AND TOL PER ASME Y14.5M-1994</p>	<p>APPROVALS</p>		<p>TRYPSTAR, LLC 15765 ACORN TRAIL, FARIBAUT, MN 55021 (507) 333-3990 • (866) TRYPSTAR - TRYPSTAR.COM</p>
	<p>THIRD ANGLE PROJECTION</p>	<p>DRAWN: AJG DRAWN DATE: 9/5/2023</p>	<p>TITLE: TS3000DC-ML-FL: 3000A BREAKER DISCONNECT</p>	
		<p>CHECKED: CHECKED DATE:</p>	<p>SIZE: CAGE CODE: DWG. NO. REV C. 1N5J8 LBBR1.N5-A-A-1- _01</p>	
		<p>ENG: DATE:</p> <p>MFG: DATE:</p> <p>QA: DATE:</p>	<p>SCALE: 1:24 WEIGHT: 2475 lbs SHEET 1 OF 1</p>	

24-HOUR SERVICE
877-291-3354
www.ers-cat.com

