

XQ230 GENERATOR TIER 3



*Arrangement shown with optional trailer

**SOUND ATTENUATED
DUAL VOLTAGE
50/60 Hz**

SPECIFICATIONS

GENERATOR

Frame Size 449
Type Permanent magnet brushless
Construction Single bearing, close coupled
Three-phase 12 lead reconnectable
Insulation Class H with coastal insulation protection
IP rating 22
Alignment Pilot shaft
Voltage regulator 3-phase sensing with Volts-per-Hertz
Voltage regulation $\pm 1/2\%$ steady state/ $\pm 1/2\%$
no load to full load
TIF Less than 50
Telephone Distortion (THD) Less than 5%

ENGINE

C9 ATAAC, 4-stroke-cycle watercooled diesel
Bore - mm (in) 112 (4.41)
Stroke - mm (in) 149 (5.87)
Displacement - L (cu in) 8.8 (537)
Compression ratio 16.1:1
Aspiration Turbocharged AA charge cooled
Engine control ADEM™ A4

CAT CONTROL PANEL - EMCP 3.2

24 Volt DC Control

NEMA 1, IP22 enclosure
Lockable hinged door
Enclosure mounted
Single location customer connector point
16 light alarm module with alarm horn
Electric fuel level gauge

Consult your dealer for available voltages.

**24-HOUR SERVICE
877-291-3354**

www.ers-cat.com

**Energy Rental
Solutions**



TECHNICAL DATA

XQ230

		XQ230				
		Units	Standby	TMI Ref.	Prime	TMI Ref.
Power Rating						
60 Hz		ekW	230	DM8502	210	DM8512
50 Hz		(kVA)	275	DM8504		
Engine and Container Information						
Engine mode					C9	
Container dimensions					see chart on page 6	
Shipping Weight (Dry)						
Unit with trailer		kg (lb)			6210 (13,690)	
Unit without trailer		kg (lb)			4980 (10,980)	
Maximum Fuel Capacity Weight						
Unit with trailer		kg (lb)			7506 (16,550)	
Unit without trailer		kg (lb)			6278 (13,840)	
Engine Lubricating Oil Capacity		L (gal)			40 (10.55)	
Engine Coolant Capacity with Radiator		L (gal)			36 (9.5)	
Fuel Tank Capacity		L (gal)			1516 (400)	
Fuel Consumption		L/hr (gal/hr)	69.2 (18.3)		64.7 (17.1)	
Fuel Consumption (75% Prime)		L/hr (gal/hr)			50.6 (13.4)	
Running Time @ 75% Prime		hours			28	
Sound Level						
Standby		dB(A)			74.72	
No load @7 m (23 ft)		dB(A)			70.20	
Prime		dB(A)			73.49	
Ambient Capability		°C (°F)			43 (109.4)	

Overall Dimensions				
	Package		With Trailer	
Length	4597.4 mm	181 in	6248.3 mm	246 in
Width	1498.6 mm	59 in	2540.0 mm	100 in
Height	2387.6 mm	94 in	2882.8 mm	113.5 in

RATING DEFINITIONS AND CONDITIONS

Meets or Exceeds International Specifications:

NEMA MG1-32, IEC 60034, CSA, 98/37/EEC, 72/23/EEC, UL 508, UL142, ISO3046/1, ISO8528, 89/336/EEC

Standby – Output available with varying load for the duration of the interruption of the normal source power. Standby power in accordance with ISO8528. Fuel stop power in accordance with ISO3046/1, AS2789, DIN6271, and BS5514.

Prime – Output available with varying load for an unlimited time. Prime power in accordance with ISO8528. 10% overload power in accordance with ISO3046/1, AS2789, DIN6271, and BS5514 available on request.

Ratings are based on SAE J1349 standard conditions. These ratings also apply at ISO3046/1, DIN6271, and BS5514 standard conditions.

Fuel Rates are based on fuel oil of 35° API [@ 16° C (60° F)] gravity having an LHV of 42 780 kJ/kg (18,390 Btu/lb) when used at 29° C (85° F) and weighing 838.9 g/liter (7.001 lb/U.S. gal).

Additional ratings may be available for specific customer requirements. Consult your representative for details.

24-HOUR SERVICE

877-291-3354

www.ers-cat.com

**Energy Rental
Solutions**



STANDARD CONTROLS

FEATURES

EMISSIONS

- EPA Tier 3 and CARB Emissions Certified for non-road mobile applications at all 60 Hz and 50 Hz ratings

CAT C9 ATAAC DIESEL ENGINE

- Utilizes ACERT® Technology
- Reliable, rugged, durable design
- Field-proven in multiple applications worldwide
- Four-stroke-cycle diesel engine combines durability with minimum weight while providing dependability and economy
- 50/60 Hz convertibility

CAT SR4B GENERATOR

- Designed to match performance and output characteristics of diesel engines
- Permanent magnet excitation
- Segregated AC/DC, low voltage accessory box provides single point access to accessory connections

ENCLOSURE

- Made with 12-gauge steel
- Single point lifting eye
- Sound attenuated
- Convenient hand holds and steps for safe operation
- Two coat polyester powder-coated finish

ENVIRONMENTALLY FRIENDLY DESIGN

- Sound attenuated for low noise operation
- OSHA compliant safe design
- 110% spill containment for coolant and oil
- UL142 certified dual wall fuel tank

MULTI-VOLTAGE DISTRIBUTION PANEL

- Simultaneous dual voltage
- Load door safety switch
- Rust-free hinges on all doors
- Adequate space for line and plug connection without interference
- Remote start and stop contacts

SINGLE-SOURCE SUPPLIER

- Complete systems designed at Caterpillar ISO 9001:2000 certified facilities
- **Certified Prototype Tested** with torsional analysis

WORLDWIDE PRODUCT SUPPORT

- Worldwide parts availability through the Caterpillar dealer network
- With over 1,875 dealer outlets operating in 200 countries, you're never far from the Caterpillar part you need.
- 99.7% of parts orders filled within 48 hours. The best product support record in the industry.
- Dealer service technicians are trained to service every aspect of your electric power generation system.

24-HOUR SERVICE

877-291-3354

www.ers-cat.com

**Energy Rental
Solutions**



FACTORY INSTALLED STANDARD AND OPTIONAL FEATURES

System	Standard Features
Air Inlet	Air cleaner, dual element Turbocharger
Charging System	Battery charger Heavy duty charging alternator
Control Panel	Generator controls and monitoring Fuel tank monitoring Engine controls and monitoring Digital displays
Cooling System	Fan and belt guards Base mounted radiator Air to air aftercooling
Distribution Panel	Lockable doors Load door safety switch, (trips breaker upon door opening) Individual bus bar connections Circuit breaker with 24 VDC shunt trip Remote start/stop contacts Shore power connections
Enclosure	Sound attenuated 12-gauge steel Lockable doors Separate vented battery compartment Single point lifting Exterior oil and water drains with interior valves Hidden exterior fuel drain Hand holds and steps Powder coated finish
Fuel System	Primary fuel filter/water separator UL142 dual wall fuel tank 1667 L (440 gal) Radiator-mounted fuel cooler
Generator	Brushless, permanent magnet Coastal corrosion protection Shock mounted VR6 voltage regulator Space heater UL approved Simultaneous three-phase 480/277 and 240/139 voltage
Mounting System	Generator soft mounted to base Base contains integral fuel tank Skiddable structural steel design 110% oil and coolant spill containment
Starting System	Electric starting motor Battery set with disconnect switch Jacket water heater with thermostat, shut-off valves

	Optional Equipment
Available Options	Full frame support Independent tandem axle trailer frame with tongue Electric actuated hydraulic brakes with rechargeable battery backup breakaway system. Overcenter mechanical parking brake Full length fenders Non-skid surface on steps Heavy duty safety chains and grab hooks Reinforced 4540 kg (10,000 lb) top wind drop jack

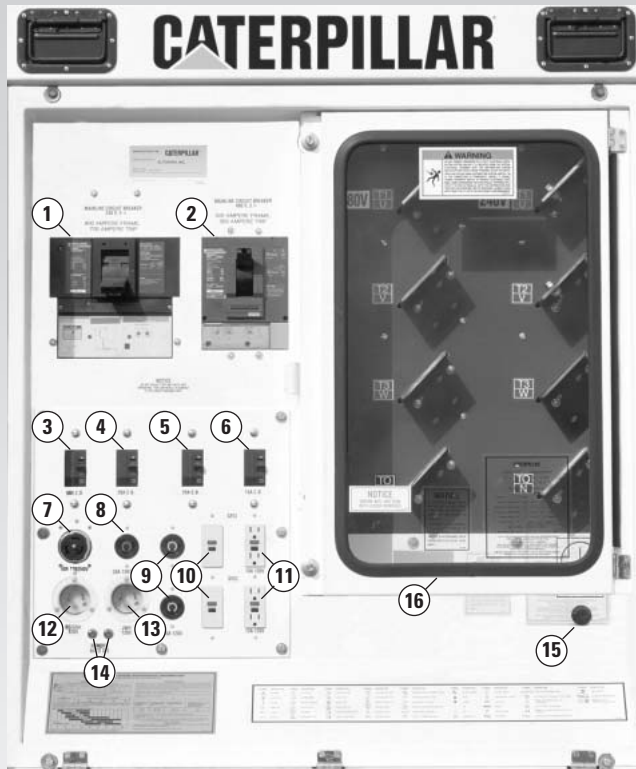
24-HOUR SERVICE

877-291-3354

www.ers-cat.com

**Energy Rental
Solutions**





WIRING DESCRIPTIONS

1. 800 amp main breaker 240V with 24V shunt trip
2. 400 amp main 480V with 24V shunt trip
3. 50 amp 240V branch breaker
4. 20 amp 240V branch breaker
5. 20 amp 120V branch breaker
6. 15 amp 120V branch breaker
7. 50 amp 240V twistlock receptacle
8. 20 amp 240V twistlock receptacle
9. 20 amp 120V twistlock receptacle (2x)
10. 20 amp 120V ground fault interrupter, (2x)
11. 15 amp 120V ground fault interrupter, duplex receptacle (2x)
12. 30 amp 120V battery charger/generator space heater receptacle
13. 30 amp 120V JWH receptacle
14. Remote start/stop contacts
15. 12.7 mm (1/2") ground stud
16. Dual voltage load connection bus board [6.35 mm 101.6 mm 101.6 mm (1/4" 4" x 4") bus bars]

24-HOUR SERVICE

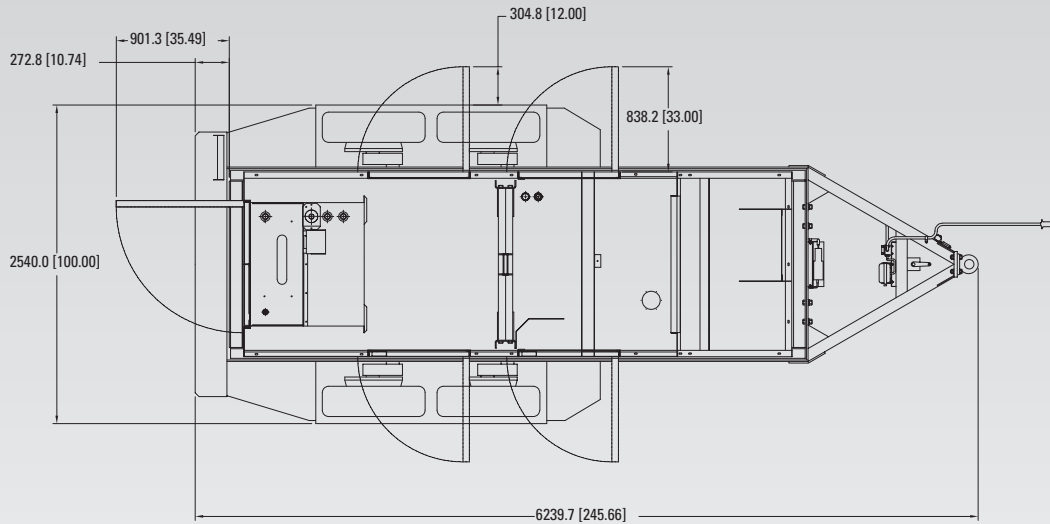
877-291-3354

www.ers-cat.com

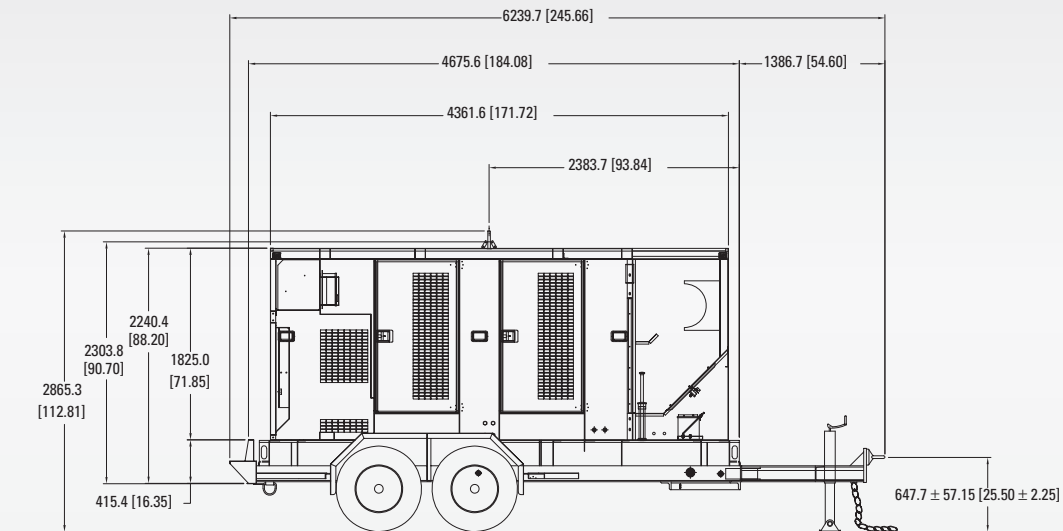
**Energy Rental
Solutions**



CONTAINER DIMENSIONS — TOP VIEW



CONTAINER DIMENSIONS — RIGHT SIDE VIEW



24-HOUR SERVICE
877-291-3354
www.ers-cat.com

**Energy Rental
 Solutions**

