

1000KVA TRANSFORMER

Energy Rental Solutions' transformers are designed to provide a reliable means to meet the voltage needs that arise in a variety of applications. These robust units are designed to be transported and placed where needed. Built to be deployed in temporary or long term applications and equipped with mechanical lugs for easy installation.

FEATURES & ACCESSORIES

- 3 HV Bushings in Full Length ATC w/4 Hole NEMA Spade Terminals
- 4 LV Bushings in Full Length ATC w/6 Hole NEMA Spade Terminals
- 3ph, 60hz
- 65°C Rise
- ONAN
- $\pm 2X2 \frac{1}{2} \%$ BN & ANTAPS
- Nominal Impedance: ANSI STD
- Aluminum Windings
- Mineral Oil Filled
- Pressure Relief Valve
- 1" Fill Plug with Schrader Valve
- Oil Gauge "Liquid Gauge"
- Temperature Gauge (Q)
- Pressure Vacuum Gauge - PN 5511
- 1" Drain Valve W/Oil Sampler
- External No Load Tap Changer
- External Delta-Wye Switch - 300-Amps
- Forklift Pockets
- 3" Square Tubing Protective Cage



TRANSFORMER DIMENSIONS

Width	110 inches
Height	84 inches
Depth	68 inches
Unit Weight	10,500 pounds

ELECTRICAL

High Voltage	2400 Delta X 4160Y / 2400
Low Voltage	480Y / 277
HV/LV Conductor	Aluminum

24-HOUR SERVICE

877-291-3354

www.ers-cat.com

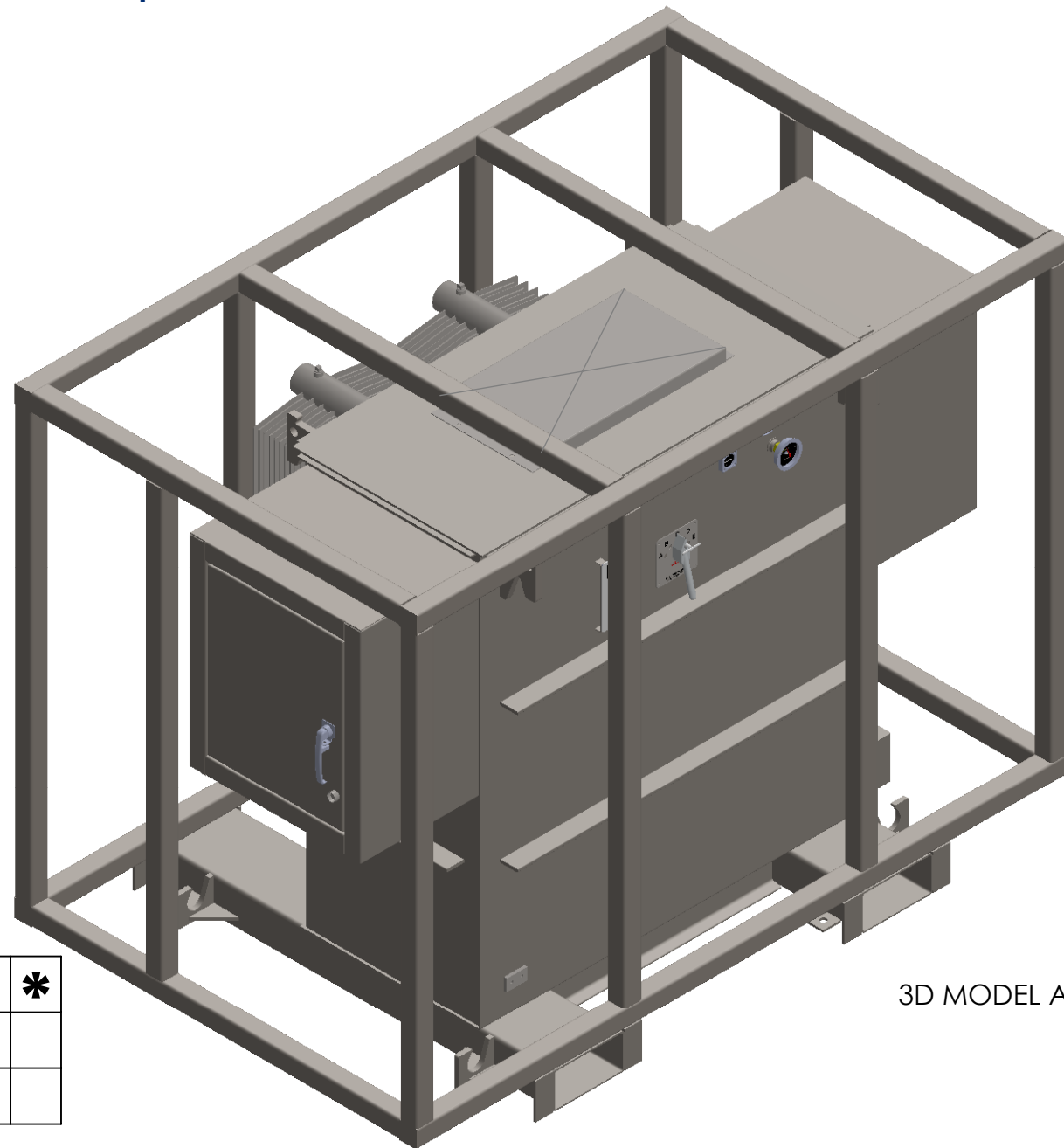
Energy Rental
Solutions





TRANSFORMERS

254-772-9740 Fax 254-772-0016 sales@vantran.com www.vantran.com
7711 Imperial Drive P.O.Box 20128 Waco, Texas 76702-0128



3D MODEL AVAILABLE

APPROVAL DRAWINGS	*
CONSTRUCTION DRAWINGS	
AS BUILT DRAWINGS	

SUBSTATION TRANSFORMER 3 PHASE MINERAL OIL ONAN 65°C RISE 60 HZ

3 EA 1000 kVA - 2400 DELTA X 4160Y/2400 - 480Y/277 WITH TAPS ±2 X 2-1/2% TAPS ABOVE AND BELOW NORMAL

CUSTOMER ENERGY RENTAL SOLUTIONS P.O.# 23656 S.O.# 19V12089 TRANS IZ: 5.75% BIL: 60kV HV/30kV LV TOTAL WEIGHT 10,500LBS GAL OIL 490

TRANSFORMERS

S/N: 19V12089	TYPE : CZ	MFG DATE :
kVA : 1000	65°C RISE	5.75 % IMP @ 85 °C
INSULATING LIQUID MINERAL OIL	"NON-PCB."	490 GAL
THREE PHASE CLASS - ONAN 60 HERTZ INST BOOK STA-OM200		
VOLTAGE RATING 2400 DELTA X 4160Y/2400 - 480Y/277		
BIL - H.V /L.V 60 kV / 30 kV CONDUCTOR MAT: H.V/L.V - AL/AL		

30° DISP

0° DISP

DELTA HIGH VOLTAGE CONNECTIONS			
VOLTS	AMP	T.C ON	DELTA-WYE SWITCH ON
2520	229	A	1
2460	235	B	1
2400	241	C	1
2340	247	D	1
2280	253	E	1

WYE HIGH VOLTAGE CONNECTIONS			
VOLTS	AMP	T.C ON	DELTA-WYE SWITCH ON
4368Y	132	A	2
4264Y	135	B	2
4160Y	139	C	2
4056Y	142	D	2
3952Y	146	E	2

MAX OPERATING PRESSURE OF LIQUID PRESERVATION SYSTEM 7.5 LBF/IN² POSITIVE AND 5 LBF/IN² NEGATIVE.

TANK DESIGNED FOR 12LBF/IN² VACUUM FILLING LIQUID LEVEL BELOW TOP SURFACE OF THE HIGHEST POINT OF THE HIGHEST MANHOLE FLANGE AT 25°C 6.56 INCHES.

LIQUID LEVEL CHANGES 0.56 INCHES/10°C CHANGE IN LIQUID LEVEL TEMPERATURE.

NOTE: RATED CURRENTS OF ALL TAP CONNECTIONS ARE AT THE HIGHEST KVA RATING CONTAINS NO DETECTABLE LEVEL OF PCB (LESS THAN 2PPM) AT TIME OF MANUFACTURE

TRANSFORMER BY **VANTRAN** WACO, TEXAS USA

CORE AND COILS 2595 LBS

TANK & FITTINGS 4230 LBS

LIQUID 3675 LBS

TOTAL MASS 10500 LBS

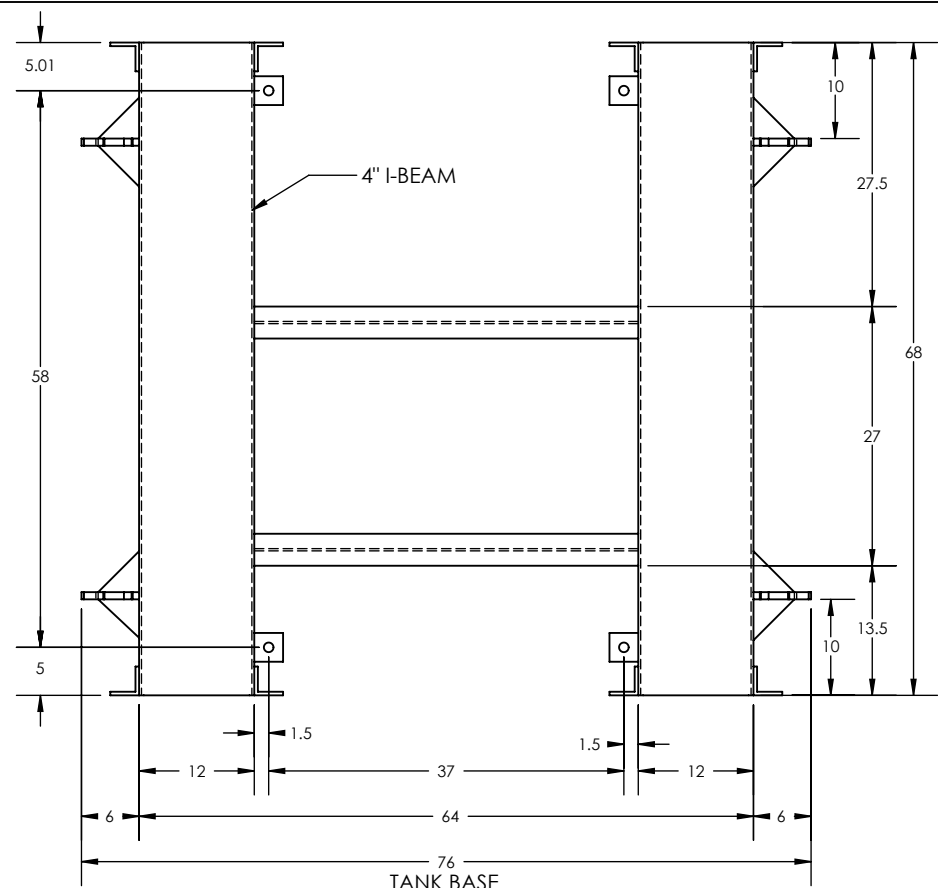
UNTANKING MASS (HEAVIEST PIECE) 2595 LBS

Liquid-Filled Distribution Transformer, E349116

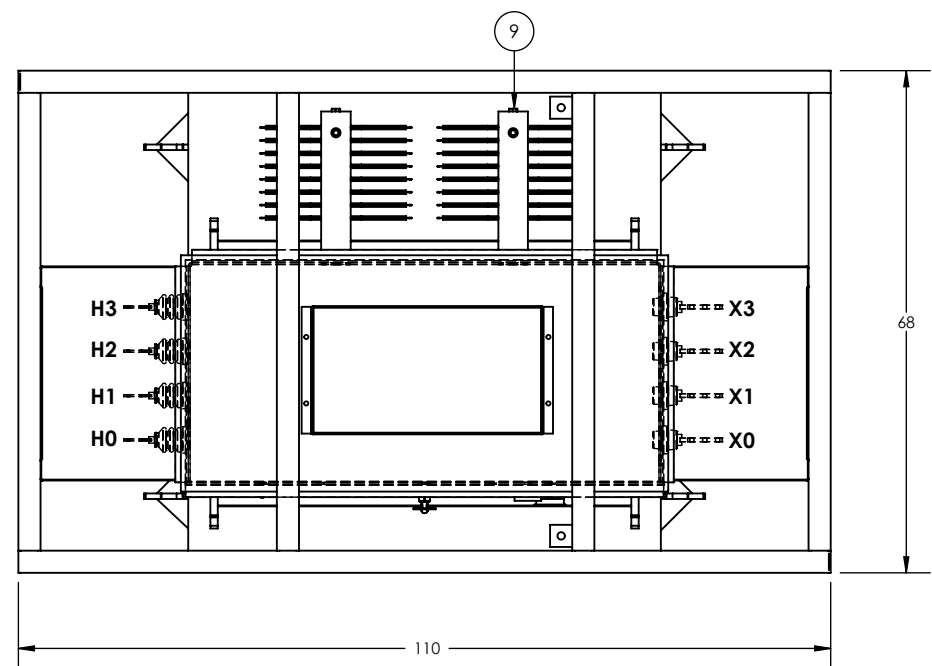
S/N	QTY
19V12089-1	1
19V12089-2	1
19V12089-3	1
TOTAL	3

PROPRIETARY AND CONFIDENTIAL
THE INFORMATION CONTAINED IN THIS DRAWING IS THE SOLE PROPERTY OF VANTRAN INDUSTRIES INC. ANY REPRODUCTION IN PART OR AS A WHOLE WITHOUT THE WRITTEN PERMISSION OF VANTRAN INDUSTRIES INC. IS PROHIBITED.

TITLE: 3D MODEL & NAME PLATE	
APPROVED	JSH 2/1/2019
DRAWN	EC 2/1/2019
NAME	DATE
SIZE DWG. NO.	B 19V12089-1
REV	00
SCALE: NTS ALL DIMENSIONS ARE IN INCHES SHEET 1 OF 2	

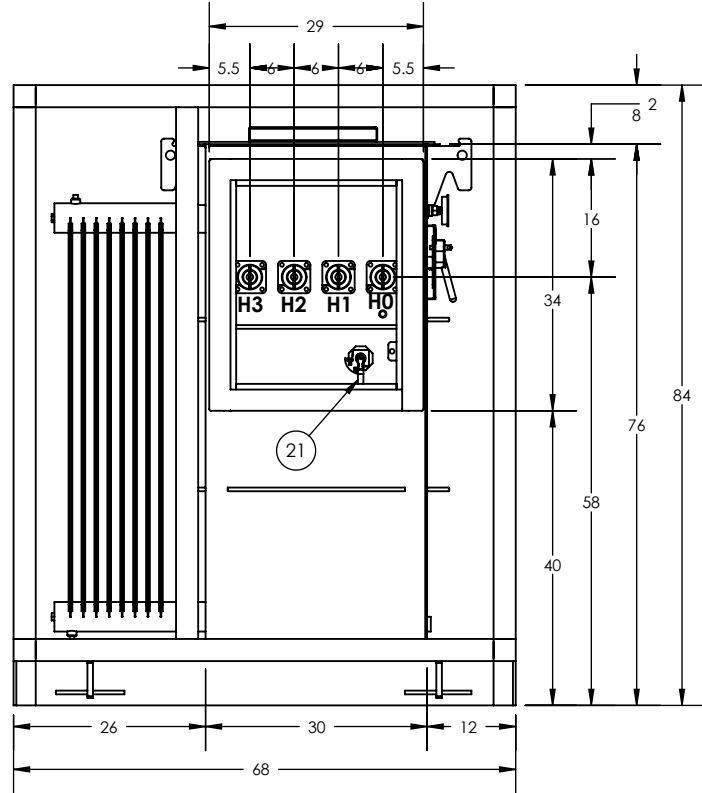


TANK BASE

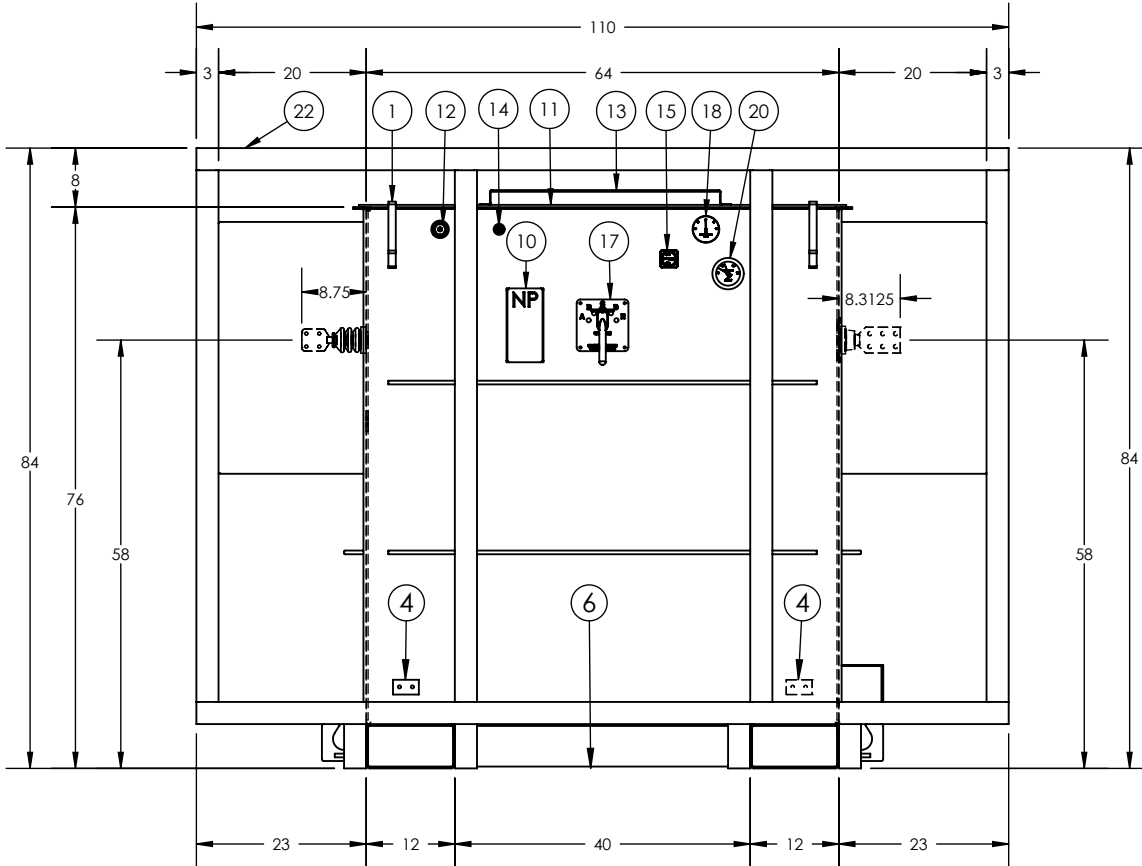


TOP VIEW

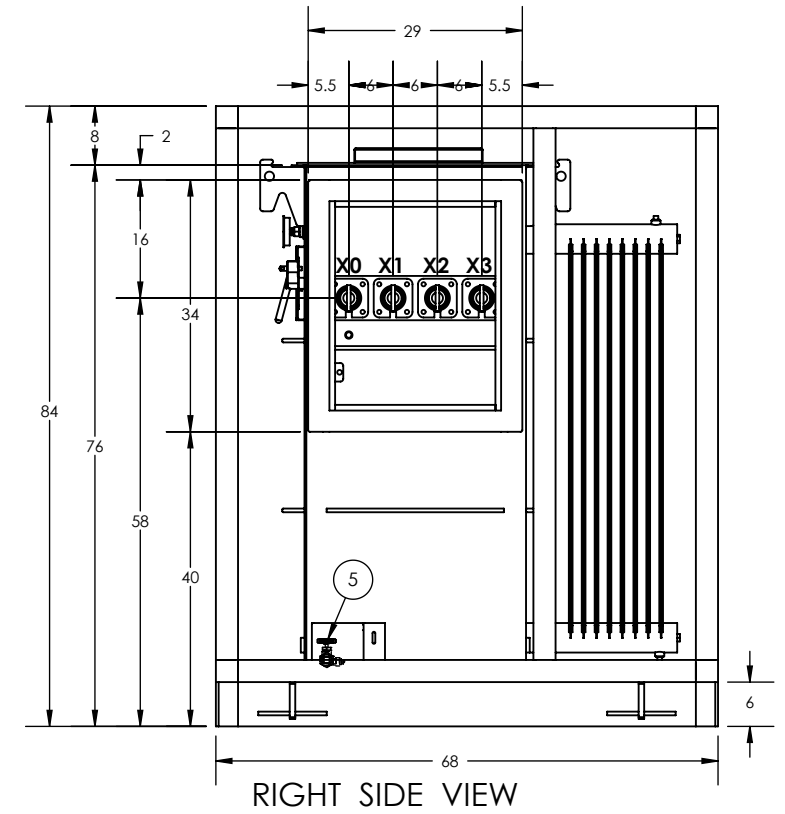
ITEM #	DESCRIPTION
1	FOUR LIFTING HOOKS WITH RETAINER FOR CHAINING TO TRUCK.
2	TRANSFORMER FILLED WITH NON PCB MINERAL OIL AT THE TIME OF MANUFACTURE.
3	PROVISIONS FOR JACKING.
4	TWO EACH TANK STAINLESS STEEL GROUNDING PADS (1/2-13 TAP) ONE ON FRONT, ONE ON BACK SIDE OF TANK.
5	ONE INCH DRAIN VALVE WITH OIL SAMPLING DEVICE IN PADLOCKABLE BOX.
6	TRANSFORMER BASE DESIGNED FOR ROLLING. SUPPLIED WITH FORKLIFT POCKETS
7	THREE EACH HIGH VOLTAGE BUSHINGS WITH NEMA 4 HOLE SPADE TERMINALS IN REMOVABLE HIGH VOLTAGE THROAT WITH HINGED DOOR. ONE EACH HIGH VOLTAGE NEUTRAL BUSHING WITH 4 HOLE SPADE TERMINAL AND REMOVABLE GROUND STRAP. SUPPLIED WITH REA HEX BOLT TO SECURE DOOR DURING TRANSPORTATION.
8	THREE EACH LOW VOLTAGE BUSHINGS WITH NEMA 6 HOLE SPADE TERMINALS IN REMOVABLE LOW VOLTAGE THROAT WITH HINGED DOOR AND OPEN BOTTOM. ONE EACH LOW VOLTAGE NEUTRAL BUSHING WITH 6 HOLE SPADE AND REMOVABLE GROUND STRAP. SUPPLIED WITH REA HEX BOLT TO SECURE DOOR DURING TRANSPORTATION.
9	RADIATORS FLEXOPLATE (AS REQUIRED).
10	DIAGRAMMATIC CORROSION RESISTANT NAMEPLATE.
11	TANK LID WELDED ON.
12	ONE INCH FILL PLUG WITH SCHRADER VALVE.
13	BOLTED ON INSPECTION PLATE UNDER WEATHER PROOF COVER.
14	AUTOMATIC PRESSURE RELIEF VALVE.
15	OIL LEVEL GAUGE.
16	TRANSFORMER WINDINGS ALL ALUMINUM WOUND.
17	EXTERNALLY OPERATED NO-LOAD TAPCHANGER.
18	PRESSURE VACUUM GAUGE.
19	BOTTOM OF TRANSFORMER UNDERCOATED TO PREVENT CORROSION.
20	DIAL TYPE THERMOMETER.
21	EXTERNALLY OPERATED NO LOAD DELTA-WYE SWITCH.
22	SUPPLIED WITH 3" SQUARE TUBING PROTECTIVE CAGE.
23	PAINT COLOR RENTAL WHITE.



LEFT SIDE VIEW



FRONT VIEW



RIGHT SIDE VIEW

PROPRIETARY AND CONFIDENTIAL
 THE INFORMATION CONTAINED IN THIS DRAWING IS THE SOLE PROPERTY OF VANTRAN INDUSTRIES INC. ANY REPRODUCTION IN PART OR AS A WHOLE WITHOUT THE WRITTEN PERMISSION OF VANTRAN INDUSTRIES INC. IS PROHIBITED.

		Vantran TRANSFORMERS	
		TITLE: OVERALL DIMENSION	
APPROVED	JSH	2/1/2019	SIZE DWG. NO.
DRAWN	EC	2/1/2019	B 19V12089-2
NAME	DATE	SCALE: NTS	ALL DIMENSIONS ARE IN INCHES
			REV 00
			SHEET 2 OF 2